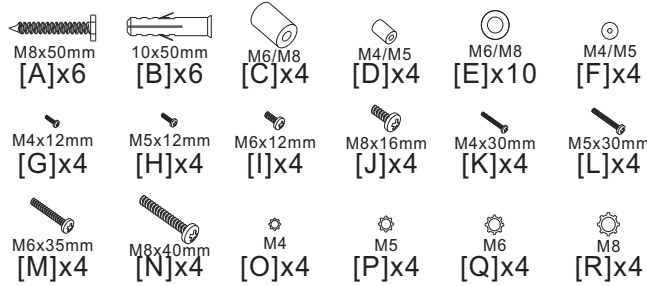


Tilting Wall Mount

for 30"-64" flat-panel TVS
Weight capacity: 75kg/165lbs

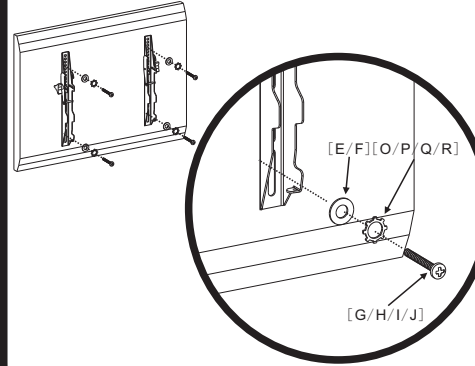
1005

IMPORTANT SAFETY INSTRUCTIONS
SAVE THESE INSTRUCTIONS



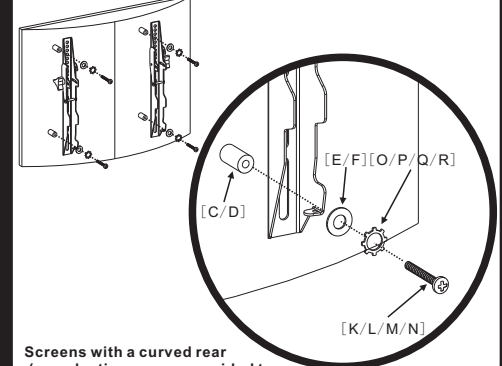
Supplied Parts

2STEP-a



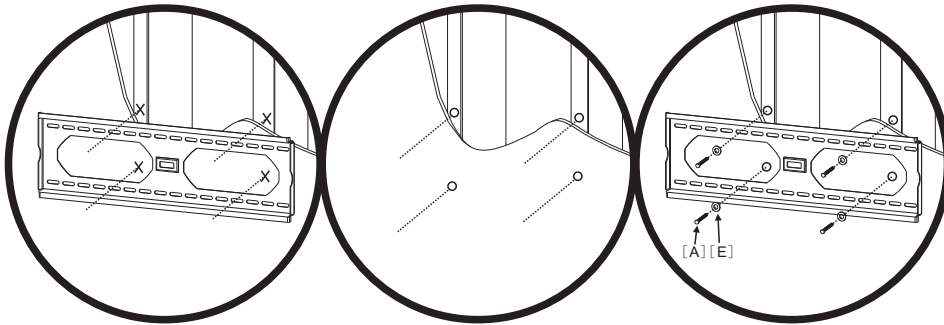
Screens with a flat rear

2STEP-b



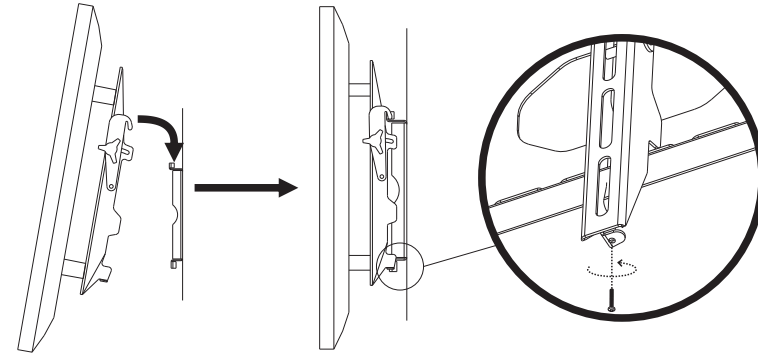
Screens with a curved rear
(use plastic spacers provided to create a flat vertical mounting surface)

1STEP-a



For stud wall mounting, fix directly into studs (additional wood screws required)

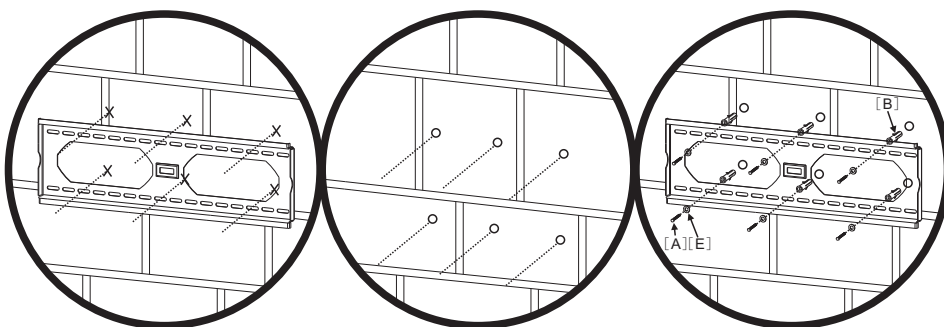
3STEP



Hook mounting arms onto wall plate

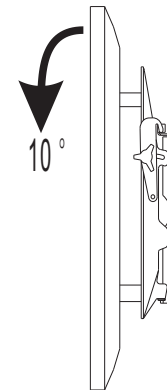
Tighten screws at the bottom of the mounting arms to secure and prevent screen sliding left / right

1STEP-b



Solid wall / concrete block mounting (use fixings supplied)

4STEP



Adjust Screen tilt to desired viewing angle

WARNING!

- The wall fixings provided should only be used when fixing into a solid brick / concrete block wall.
- Please consult a local builder or installer if unsure of your wall type.
- Incorrect assembly & installation could result in serious injury and/or damage to your screen.
- If you have any doubt installing the product safely please consult a qualified local installer.
- Do not attempt to install the bracket if any parts are missing or damaged
- Do not use the bracket for any other purpose than the brackets intended purpose
- The manufacturer accepts no responsibility for any damage or injury caused whilst mounting the Tv or bracket

umount, Unit 2 Lon Parcwr Business Park, Ruthin, Denbighshire, LL15 1NJ - www.umount.tv